

Applications:

Pumps · Motors · Spindles ·
Gear Boxes · Compressors ·
Turbines · Fans



Introducing YALAN Mechanical Seal for Bearing Protection

Mechanical Seal Provides Positive Sealing

- Cartridge design, which allows quick and easy installation.
- Fits most bearing housings without further modification.
- Positive drive and rotary face is interference driven.
- Heavy duty construction. Seal is not easily damaged during installation.
- No magnets to attract metal particles.
- Long life expectancy.
- Will not wear or fret shaft.
- Shaft surface finish is not critical.

FULLY CUSTOMIZABLE ACCORDING TO
THE ACTUAL OPERATING CONDITIONS
CONTACT US WITH YOUR DEVICE DIMENSIONS

Email: contact@yalan-seals.com

Landline: +86-551-64287402

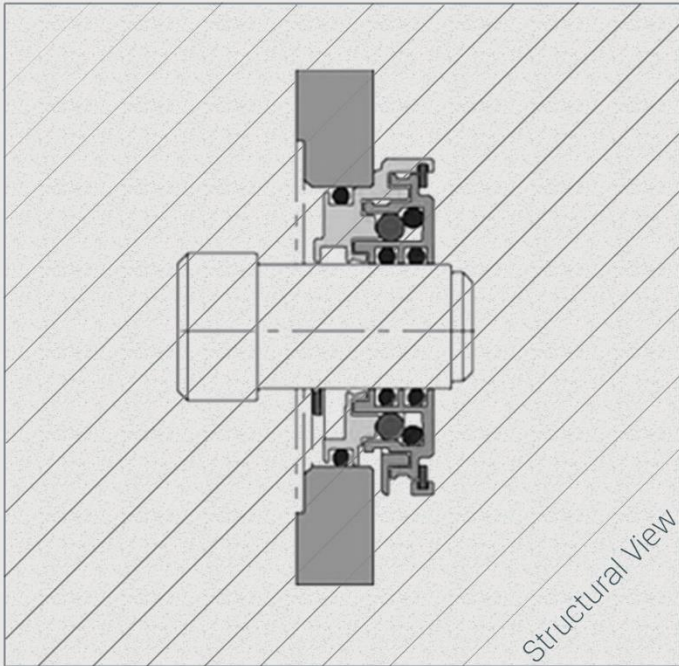
Mobile: +86-18356957562

+86-17775378093

Fax: +86-551-64247831

Website: www.yalan-seals.com

HQ Office: 21st Floor, Lanjing International Building,
City of Hefei, Anhui, China



Operation Parameters

- Pressure: 0.2 MPa or less
- Temperature: - 20 ~ 150 °C
- Linear Speed: 30 m/s or less

Basic Information

- Style: Ring Style Bearing Protector
- Function: Labyrinth Sealing
- Application: Bearing Protection
- Shape (For Gasket): Ring Gasket
- Material: 6 Combinations, See Chart Below
- Standard: Standard
- Model NO.: YL-BP
- Specification: Inner Diameter: 10 mm to 200 mm

Features

This bearing protector employs static and dynamic sealing technologies to prevent ingress of contaminants into the bearing housing and ensure oil retention, even when the equipment is shut down. This component can work in a similar way as the product called Seal Gard made by Flowserve.

Material Combinations

Bearing Protector Type 1 Housing: SUS304 Collar: SUS304 Rotary Face: SUS304 Stationary Face: H62 O-rings: NBR/FKM	Bearing Protector Type 2 Housing: H62 Collar: H62 Rotary Face: H62 Stationary Face: H62 O-rings: NBR/FKM	Bearing Protector Type 3 Housing: H62 Collar: H62 Rotary Face: H62 Stationary Face: PH17-4 O-rings: NBR/FKM
Bearing Protector Type 4 Housing: SUS304 Collar: SUS304 Rotary Face: SUS304 Stationary Face: Composite O-rings: NBR/FKM	Bearing Protector Type 5 Housing: H62 Collar: H62 Rotary Face: H62 Stationary Face: Composite O-rings: NBR/FKM	Bearing Protector Type 6 Housing: PH17-4 Collar: PH17-4 Rotary Face: PH17-4 Stationary Face: Composite O-rings: NBR/FKM

FULLY CUSTOMIZABLE ACCORDING TO
THE ACTUAL OPERATING CONDITIONS
CONTACT US WITH YOUR DEVICE DIMENSIONS

Email: contact@yalan-seals.com
 Landline: +86-551-64287402
 Mobile: +86-18356957562
 +86-17775378093
 Fax: +86-551-64247831
 Website: www.yalan-seals.com
 HQ Office: 21st Floor, Lanjing International Building,
 City of Hefei, Anhui, China