

58U, AKA 59U Mechanical Seals for Chemical Centrifugal Pumps, Vacuum Pumps, Compressors and Reaction Kettles

58U (59U)型机械密封

Structural Features: single end, multi springs, unbalanced, independent rotary direction, bolt and lug combined transmission. The transmission is simple and reliable. The compensation components are pre-assembled for easy installation and good compensation. The load on the sealing faces are balanced. The seal component is easy to adjust and the performance is reliable and stable.

结构特点: 单端面、多弹簧、非平衡型、任意旋向、螺钉凸耳组合传动。传动方式简单可靠、补偿元件整体预装、便于安装, 补偿性能好; 端面负荷均匀; 安装简单、调整方便、密封性能稳定可靠, 适用范围广, 通用性强。

Standards: ISO3069, GB6556, DIN24960, EN12756
符合标准: ISO3069, GB6556, DIN24960, EN12756

Scopes of Application: oil industry, chemical engineering, chemical fiber, food processing, pharmacy, paper pulp and environmental protection industry. Designed for chemical pumps, water pumps, piping pumps, screw pumps, compressors and other rotary devices.

应用领域: 广泛应用于石油、化工、化纤、食品、医药、纸浆、环保等领域。可同化工泵、清水泵、管道泵、螺杆泵、压缩机等旋转设备配套。

Inner Diameter: 14 mm to 100 mm
规格范围: 14 - 100 mm

Materials

Rotary Ring Face: Carbon/SiC/TC
Stationary Ring Face: Al₂O₃/SiC/TC
Elastomers: NBR/EPDM/Viton/PTFE/FFKM
Springs: SS304/SS316/HC-276
Metal Parts: SS304/SS316/SS316L/Hastelloy
材料

旋转环端面: 石墨/碳化硅/碳化钨

静止环端面: 氧化铝/碳化硅/碳化钨

辅助密封: 丁腈橡胶/三元乙丙橡胶/氟橡胶/聚四氟乙烯/全氟醚橡胶

弹簧: SS304/SS316/HC-276

金属部件: SS304/SS316/SS316L/哈氏合金

Operation Parameters

Pressure: ≤ 1.2 MPa

Temperature: - 40 ~ 200 °C

Linear Speed: ≤ 25 m/s

运行参数

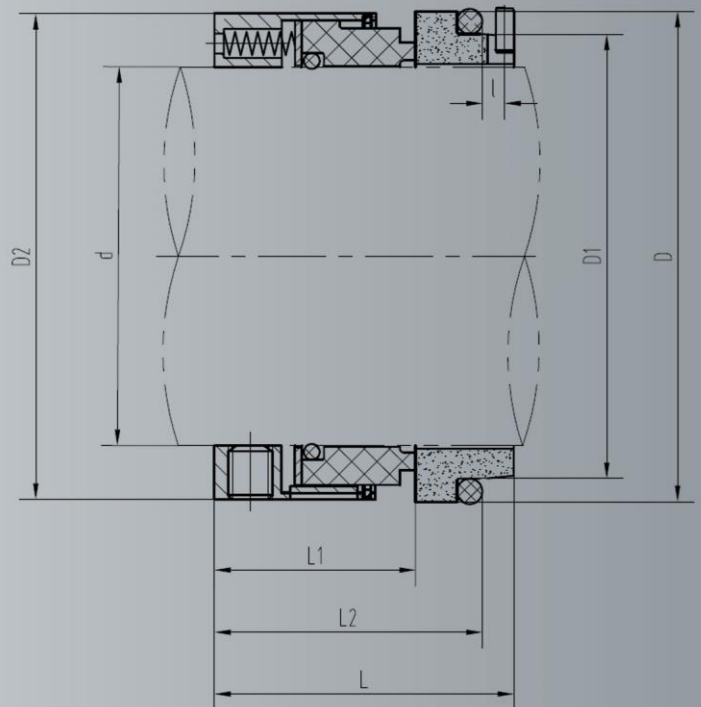
压力: ≤ 1.2 MPa

温度: - 40 ~ 200 °C

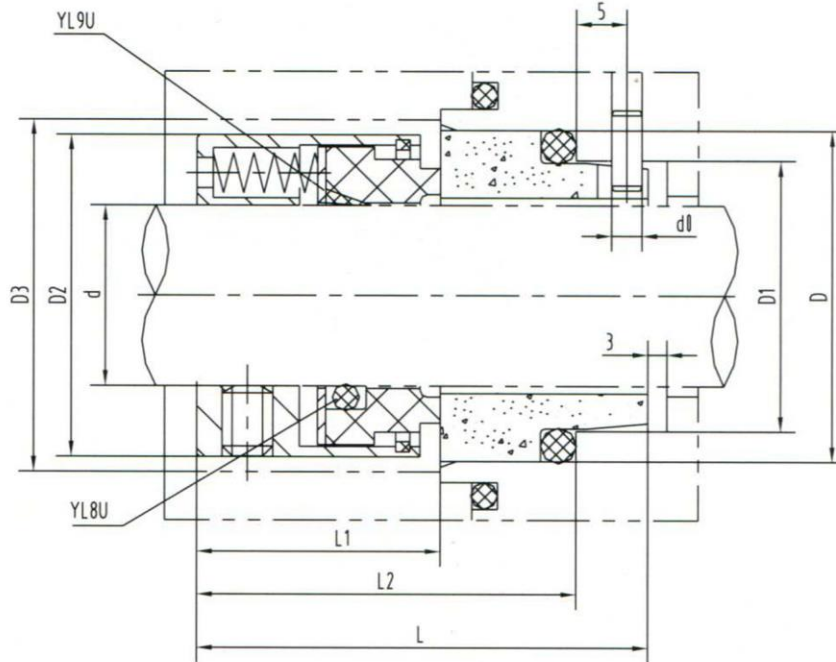
线速度: ≤ 25 m/s

Mediums: oil, water, amorphism acid, alkali, salt, and organic solvents.

适用介质: 水、油、非结晶性酸、碱、盐有机溶剂等。



58U (59U) Mechanical Seal Dimension Chart - 58U (59U)型机械密封尺寸对照表



Shaft Sizes	Dimensions								
	d	D	D1	D2	D3	L	L1	L2	d0
20	20	35	29	34	36	45	24.0	37.5	3
22	22	37	31	36	38	45	24.0	37.5	3
24	24	39	33	38	40	47	26.7	40.0	3
25	25	40	34	39	41	47	27.0	40.0	3
28	28	43	37	42	44	50	30.0	42.5	3
30	30	45	39	44	46	50	30.5	42.5	3
32	32	48	42	46	48	50	30.5	42.5	3
33	33	48	42	47	49	50	30.5	42.5	3
35	35	50	44	49	51	50	30.5	42.5	3
38	38	56	49	54	58	52	32.0	45.0	4
40	40	58	51	56	60	52	32.0	45.0	4
43	43	61	54	59	63	52	32.0	45.0	4
45	45	63	56	61	65	52	32.0	45.0	4
48	48	66	59	64	68	52	32.0	45.0	4
50	50	70	62	66	70	55	34.0	47.5	4
53	53	73	65	69	73	55	34.0	47.5	4
55	55	75	67	71	75	55	34.0	47.5	4
58	58	78	70	78	83	60	39.0	52.5	4
60	60	80	72	80	85	60	39.0	52.5	4
63	63	83	75	83	88	60	39.0	52.5	4
65	65	85	77	85	90	60	39.0	52.5	4
68	68	90	81	88	93	60	39.0	52.5	4
70	70	92	83	90	95	67	45.5	60.0	4
75	75	97	88	95	104	67	45.5	60.0	4
80	80	105	95	104	109	67	45.0	60.0	4
85	85	110	100	109	114	67	45.0	60.0	4
90	90	115	105	114	119	72	50.0	65.0	4
95	95	120	110	119	124	72	50.0	65.0	4
100	100	125	115	124	129	72	50.0	65.0	4